





United Aluminium



portable

easy assembly

expandable

//metro**lite**

display solutions for the exhibition, event and retail environments

**unibox**<sup>®</sup>  
exhibition system

//metro**lite** display solutions

# //metrolite by Unibox

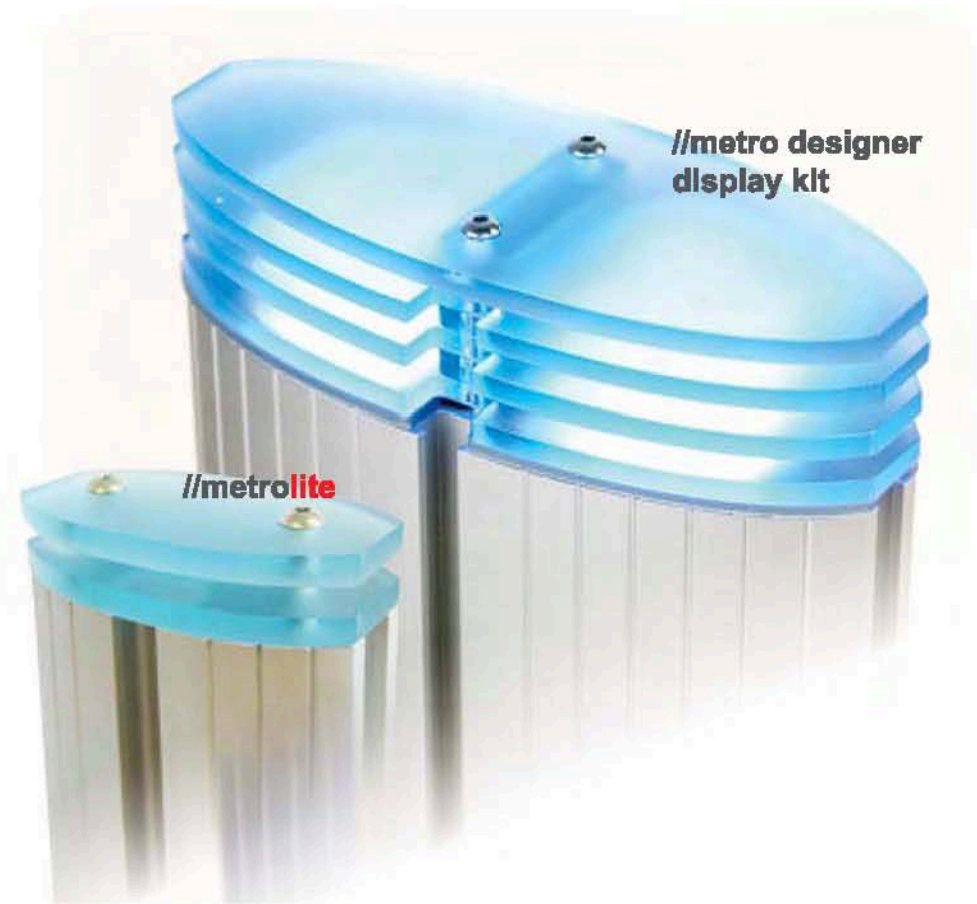
## //Metro designer display kit

Since its' launch, the metro designer display kit has been the graphic display product of choice for designers, retailers and brands alike. An aspirational product merging design and practicality, creating a stunning format for portable or static displays. With superb attention to detail in terms of accessories and finish. Metro displays are no doubt a market leader in the portable aluminium display industry!

## // And It's just got lighter!

**metrolite** is the latest product range to be launched by Unibox. As the name suggests it is lighter in weight than the highly acclaimed Metro, whilst maintaining the high quality expected from a Unibox product. We have created an upmarket display system, lower in price than the many low quality, "wannabe" systems on the market today!

By reducing the number of components and using slimline feature posts we have reduced the weight and allowed for a lower cost option without any compromise on quality.



# //metrolite

unbeatable quality, flexibility, lightweight, affordable solutions

- metrolite stand kits fit into a single carry case
- Perfect for seamless lightweight graphic panels (fixed using magnetic tape)
- Modular Aluminium System - totally re-useable and recyclable.
- Robust, yet stylish construction.
- Bases designed with a minimum of material making them lightweight whilst maximising stability.
- 65mm elliptical profile designed to reduce weight and cost but maintaining the Unibox quality.
- Coloured acrylic top stack as standard. Choose from a range of colour options.
- Centre beam for extra rigidity
- Wide range of accessories



metrolite ml2 - Straight



Overall stand size: h:2000 x w:2430

metrolite ml1 - Curved



Overall stand size: h:2000 x w:2287



# //metrolite

the new metrolite display system - portable, easy to assemble, expandable

metrolite ml5



metrolite ml3



- metrolite kits can be added to, giving endless configurations.
- The metrolite range is fully portable and easy to transport.
- The metrolite can be simply enhanced or adapted through an extensive range of accessories.



ML3

ML4

ML5



ML6

ML7

Please note : All Metrolite kits are available with or without spigots

# //metrolite

unbeatable flexibility and stability for both public and trade applications

## metrolite ml8 - Straight

Overall stand size: h:2000 x w:1131



- metrolite stand for use with lightweight graphic panels (face fixed using magnetic tape)

## metrolite ml9 - Straight

Overall stand size: h:2000 x w:2031



- metrolite stand to take looped fabric banner system.

## metrolite ml10 - Straight

Overall stand size: h:2000 x w:1131



- metrolite stand to take solid infill panel. (foamex / acrylic etc)



## accessories include:

- Acrylic top stacks
- Carry cases
- Lights
- Poseur table kit
- Folding portable counter kit
- Workstation counter kit
- Literature holders
- Screen mounting kits



screen mounting kit



acrylic top stack  
select from a range of colour options (Included in the kit price)



carry cases for folding portable counter kits



carry cases for metrolite kits



metrolite poseur table kit  
(top not available in fluorescent finish as standard please ask for further information)

# //metrolite

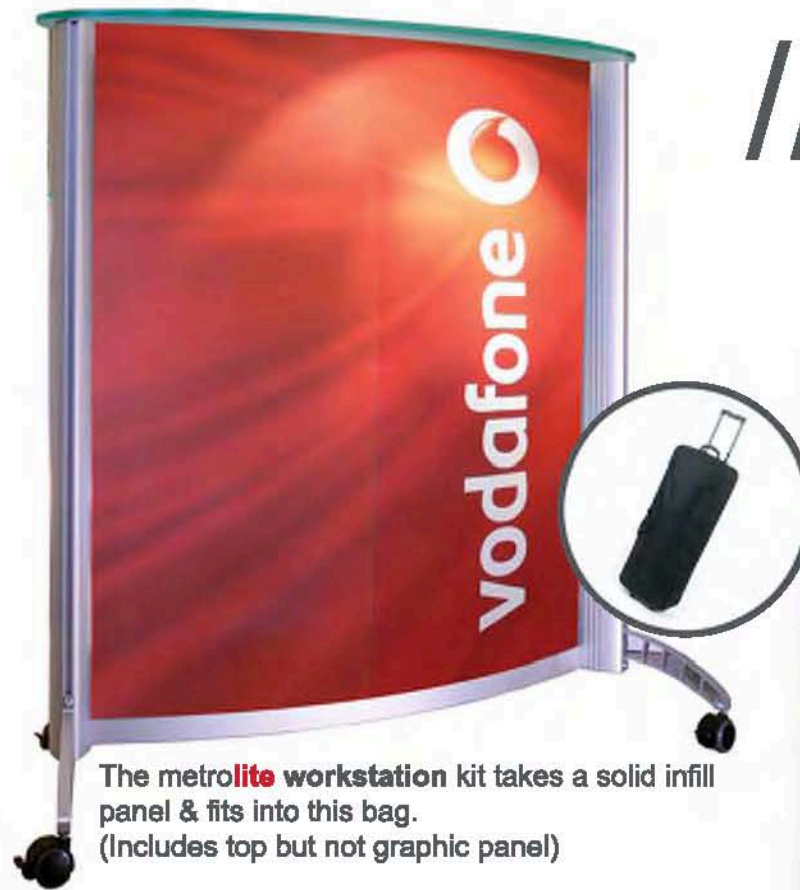
accessories



**A4 acrylic literature holder**  
Available front or side mounted.  
Please ask for details of colour options,



**A4 steel literature holder**  
can be either front or side mounted



The **metrolite workstation kit** takes a solid infill panel & fits into this bag.  
(Includes top but not graphic panel)



240 volt 150 watt linear  
halogen swan neck flood light

12 volt 50 watt capsule  
swan neck spot light



The **metrolite folding portable counter kit** can be assembled in 5 minutes & fits into this bag.  
(Includes top but not graphic panels)



A **simple** and effective way of demonstrating the versatility and quality of the Unibox **metrolite** system.

# //metrolite

## Demonstration Kit



### The demo kit includes:

- 4 x UA6389 Upright posts
- 4 x Acrylic top stack colour samples
- 4 x Blue acrylic top stacks
- 2 x UA9610 Base plates
- 2 x UA4181 Profile to profile connectors
- 4 x UA4849 Spigot connectors
- 1 x Graphic frame using UA2667
- 6 x UA10149 Extension Bars
- 3 x Assorted red handled allen keys
- 1 x Sturdy alloy carry case with "pull & pluck" foam, compartmentalised insert

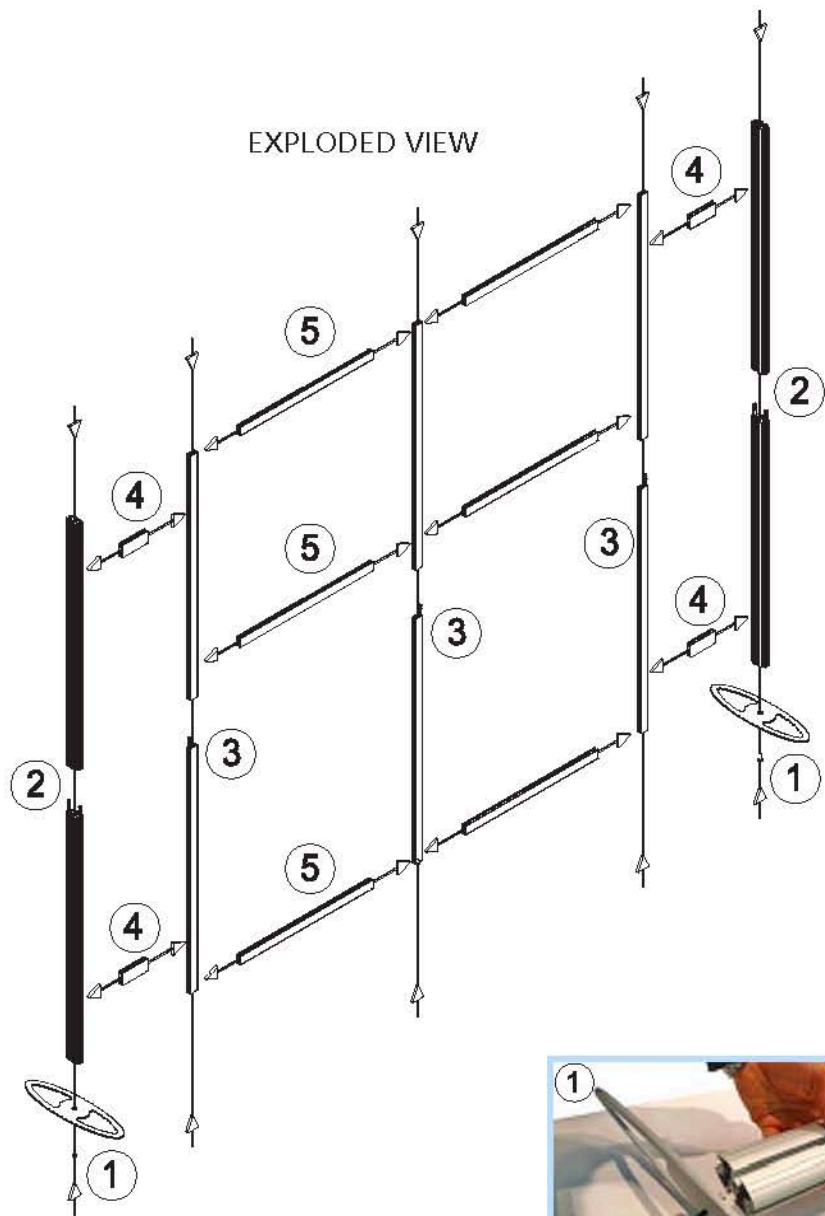


Ring **0161 277 6020** and speak to a member of our sales team to request your sample kit.



# //metrolite

## Assembly Instructions



### LOCATION OF STEEL TAPE



Note location of steel tape to inner frame uprights

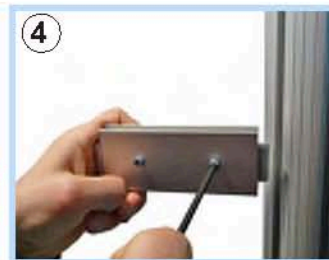
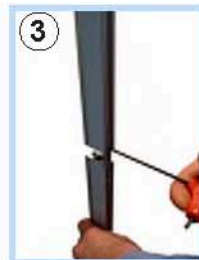
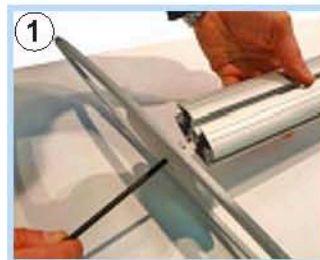


Note location of steel tape to outer frame uprights

### 5 Easy Steps

1. Screw feet to lower elliptical posts using M8 x 25 countersunk screw and 5mm hex key
2. Assemble upright elliptical posts and tighten grub screws using 3mm hex key
3. Assemble frame uprights (see notes above on steel tape) and tighten grub screws using 3mm hex key
4. Fit spigots to elliptical posts and frame uprights and tighten using 4mm hex key
5. Fit horizontal beams to frame uprights and tighten using 4mm hex key

Repeat for the required number of frames





# **Metro** Designer Display Kit

10 basic structures - Endless configurations

Metro Designer Display Kit for exhibition, event and retail environments





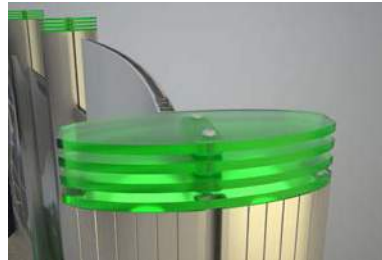
## Metro

### Magnetic Graphic Display and Portable Counter System

A flexible and robust graphic display and portable counter system which is the perfect choice for a multitude of venues and applications.

We manufacture an extensive range of pre-configured kits which can be supplied as either portable or semi-permanent versions. The kits comprise all the accessories required to create an on-brand customer experience.





## Put into practice

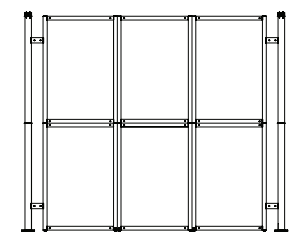
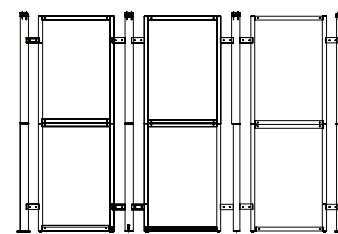
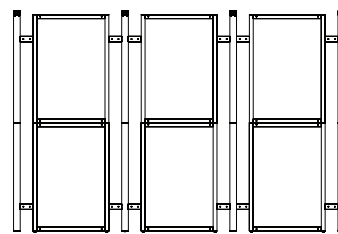
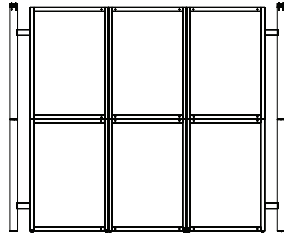
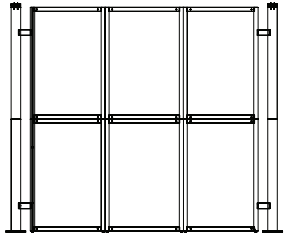
Be inspired. Our solutions.

The Metro display range merges design and practicality to create a new format for portable or static displays. Metro's unique design features will enhance any environment from exhibitions to retail.

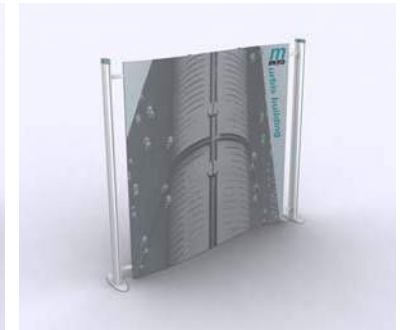
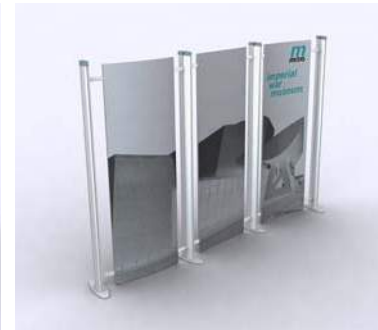
With 10 basic structures and the ability to be joined together, Metro kits can expand and be added to, giving endless configurations. Whether you're looking to stand out from the pop-up crowd or launch a new product, Metro systems can be simply adapted through an extensive range of accessories.

# Products

We'll let them speak for themselves



Metro



Options

## M1

Curved display stand.

**width:** 2500mm

**height:** 2100mm

## M2

Flat display stand.

**width:** 2500mm

**height:** 2100mm

## M3

Individual flat display stand.

**width:** 3200mm

**height:** 2100mm

## M4

Individual wave display stand.

**width:** 3200mm

**height:** 2100mm

## M5

Wave display stand.

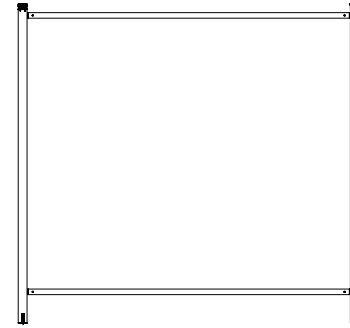
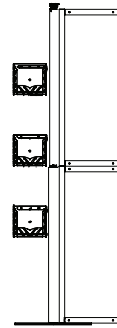
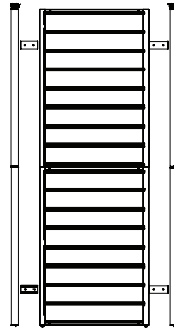
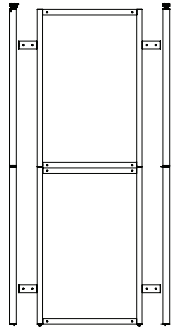
**width:** 2600mm

**height:** 2100mm

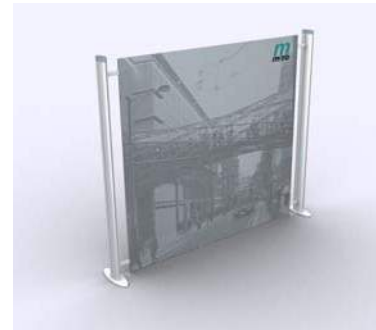


# Products

We'll let them speak for themselves



Metro



## M6

Flat display stand.

**width:** 1100mm  
**height:** 2100mm

## M7

Flat slatwall display stand.

**width:** 1100mm  
**height:** 2100mm

## M8

Flat totem, lit. holder display.

**width:** 700mm  
**height:** 2100mm

## M9

Flat fabric banner display.

**width:** 2500mm  
**height:** 2100mm

# Products

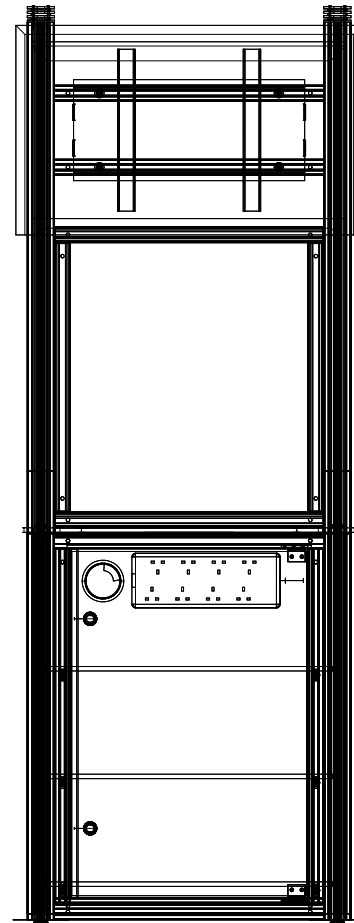
We'll let them speak for themselves



## Metro M10

A feature packed Audio Visual unit featuring secure storage for hardware and a sturdy monitor bracket designed to hold up to a 32" LCD screen. For added impact it can have LED lit top caps. Top caps, door and worktop are also available in a range of colours to match your branding.

Ease of assembly and break down, make this system ideal for use in special promotions, any retail outlet, exhibition stand, POS arena, reception area or foyer.



Metro

# Metro Counters

## Portable Counter Kits

Kit Form - base



Kit Form - semi



Metro

Counterkits

### UK01

width: 1070mm  
depth: 600mm  
height: 1030mm

### UK02

width: 1070mm  
depth: 600mm  
height: 1030mm

### UK03 Type A

width: 2030mm  
depth: 600mm  
height: 1030mm

### UK03 Type D

width: 2030mm  
depth: 600mm  
height: 1030mm

### UK05

width: 1090mm  
depth: 600mm  
height: 1030mm



# Metro Counters

## Portable Counter Kits

Kit Form - base



Kit Form - semi



### UK06

width: 1090mm  
depth: 600mm  
height: 1030mm

### UK07 Type A

width: 2030mm  
depth: 600mm  
height: 1030mm

### UK07 Type D

width: 2030mm  
depth: 600mm  
height: 1030mm

### UK09

width: 600mm  
depth: 600mm  
height: 1030mm

# Accessories

The little extras, but with big impact

Metro modules can be combined with other kits to form displays of any size. The unique adaptability of the Metro range allows for the construction of a wide range of displays. Any design can be quickly reconfigured to suit alternative uses.

**01**  
LED feature lighting for illuminated topstacks.

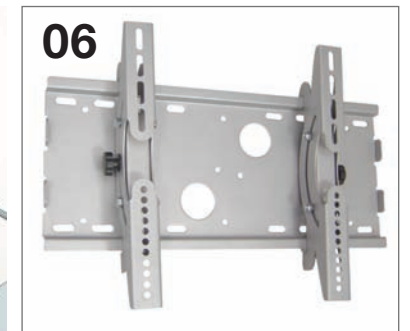
**02**  
Poseur table kit with 10mm thick acrylic circular top.

**03**  
Acrylic and steel literature holders available with left, right and centre brackets.

**04**  
12V GU 5.3 LED swan neck spot light.

**05**  
240V 150W swan neck lighting for illuminating graphics.

**06**  
A/V bracket.



# System

Simple assembly, but with big impact

It couldn't be easier to put your Metro stand together. Using preassembled frames our M1 unit can be built in 15-20 minutes, including the simple mounting of magnetic graphics.

**01**

Portable Metro kits are easily transported in their own set of carry cases.

**02**

Stability is achieved with stylish steel bases.

**03**

Extension bars allow for simple construction.

**04**

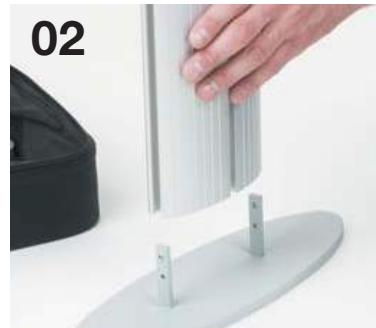
Preassembled frames for quick installation.

**05**

Four channels to each post allowing for a multitude of configurations.

**06**

Metro frames come with steel tape to accept magnetic graphics.



Metro

System





**sibox**  
Fluent in Aluminium

# Tension Fabric System

Limitless sizes - Endless configurations

Tension Fabric System for exhibition, event and retail environments

Tension Fabric System



## TFS

### Tension Fabric System

A lightweight graphic display system which is almost limitless in size and is the perfect choice for a multitude of venues and applications.

TFS allows simple fitting and removal of tension fabric graphics. Frames are simple to assemble using just one tool.





## Put into practice

Be inspired. Our solutions.

This very versatile system can be either single or double sided. Displays can be freestanding, fit into existing system, wall mounted and even ceiling hung and can use a multitude of fabrics.

Perfect for exhibition displays and even exhibition stands, retail displays, window displays, showrooms, reception and foyer areas, roadshow events, museum graphics.



# Products

We'll let them speak for themselves

## Flat freestanding frames

Single or double sided with a choice of bases.

## Horizontal freestanding curves

Single or double sided with a choice of bases.

## Vertical freestanding curves

Single or double sided with a choice of bases.

TFS



Options

# Products

We'll let them speak for themselves

## Wall mounted

Single sided with concealed bracket.



## Suspended

Single or double sided, wire or tube suspension.



## Wall or column

Single or double sided with a choice of bases.



TFS

Options

# Products

We'll let them speak for themselves

## Archway curves

A unique Double sided display solution.



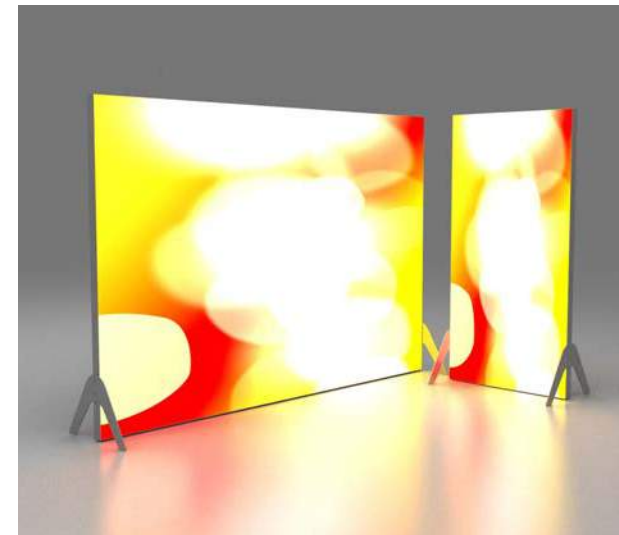
## Meeting pods

Double sided, lightweight meeting spaces.



## Lightboxes

Single or double sided with a choice of bases.



TFS

Options



# Accessories

The little extras, but with big impact

TFS modules can be combined with other kits to form displays of any size. The unique adaptability of the TFS range allows for the construction of a wide range of displays. Any design can be quickly reconfigured to suit alternative uses.

**01**

Poseur table kit with 10mm thick acrylic circular top.

**02**

Acrylic literature holders available with left, right and centre brackets.

**03**

Steel literature holders available with left, right and centre brackets.

**04**

Carry bags available.

**05**

12V GU 5.3 LED swan neck spot light.

**06**

240V 150W swan neck lighting for illuminating graphics.

**01**



**02**



**03**



**04**



**05**



**06**



# Accessories

The little extras, but with big impact

TFS accessories allow a myriad of different looks and uses.

**01**

**UA10189**

Rectangular foot plate.

**02**

**UA10446**

'Batwing' side fix foot plate.

**03**

**UA10469**

Side fix foot plate.

**04**

**UA12201**

Side fix foot plate.

**05**

**UA12296**

Side fix foot plate for vertical curves.

**06**

**UA12952**

Rectangular foot plate to suite Ledge 135 profile.

**07**

**UA13060**

Offset rectangular foot plate to suite Ledge 135 profile.

**08**

**UA10173**

Wall mount bracket.

**09**

**UA7585**

Eye bolt.

**01**



**02**



**03**



**04**



**05**



**06**



**07**



**08**



**09**



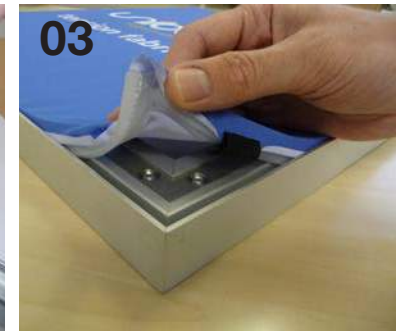
# Assembly

Simple and easy, but with big impact

It couldn't be easier to put your TFS display together. TFS consists of frames connected with a bracket in each corner and can be built in 5-10 minutes, including the simple mounting of fabric graphics.

TFS

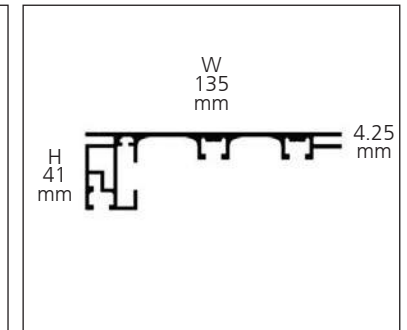
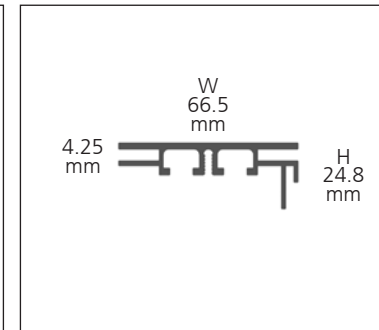
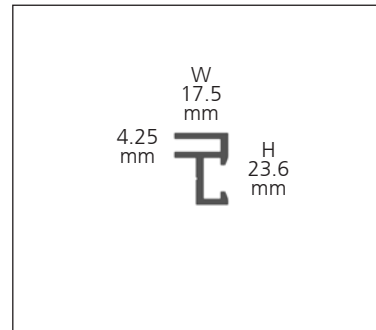
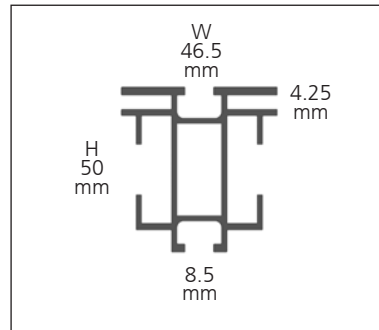
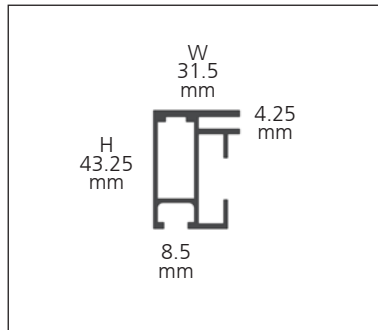
- 01**  
Slip the bracket into the channel provided.....
- 02**  
and tighten.
- 03**  
Insert the fabric by pushing the silicone strip into the channel of the extrusion. The fabric has a tab to allow for easy extraction.



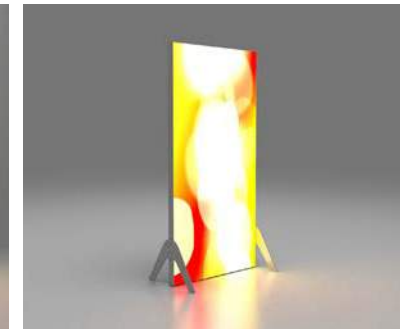
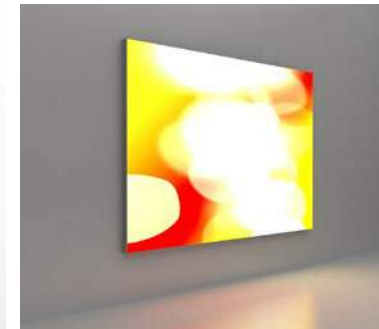
Assembly

# Profiles

To cover every eventuality



TFS



Profiles

## UA10169

### One-sided TFS

The classic single-sided TFS frame primarily used for wall-hung displays. Its size lends itself to larger sized frames.

## UA9544

### Two-sided TFS

Range of double-sided TFS frames used freestanding or suspended and which can be curved.

## UA11437 Micro

### One-sided TFS

Range of single-sided slimline TFS frames used for wall-hung displays.

## UA10584 Ledge 65

### Lightbox TFS

Range of single-sided lightbox TFS frames used for wall-hung displays.

## UA11866 Ledge 135

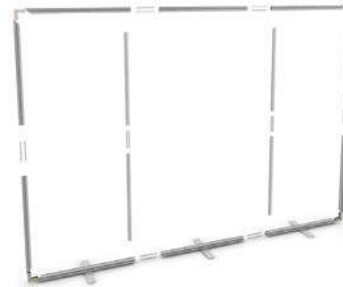
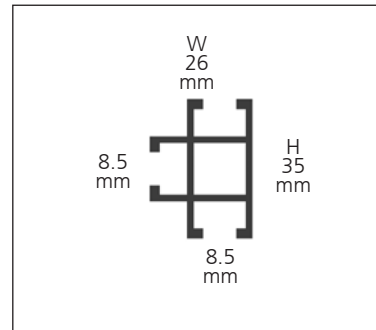
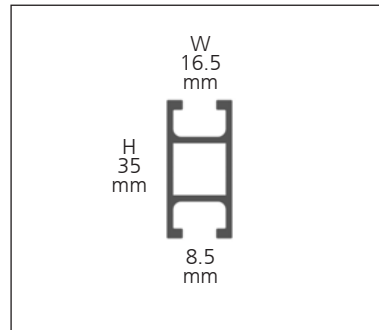
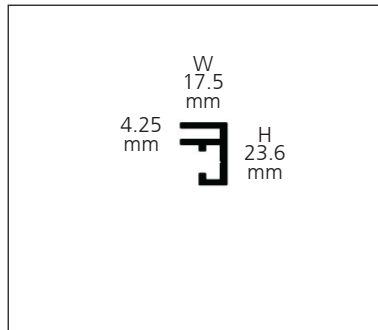
### Lightbox TFS

Range of single-sided lightbox TFS frames used freestanding with a range of feet.



# Profiles

To cover every eventuality



TFS

Profiles

## UA13190 Micro

### One-sided TFS

Range of single-sided slimline TFS frames used for wall-hung displays.

## UA2667

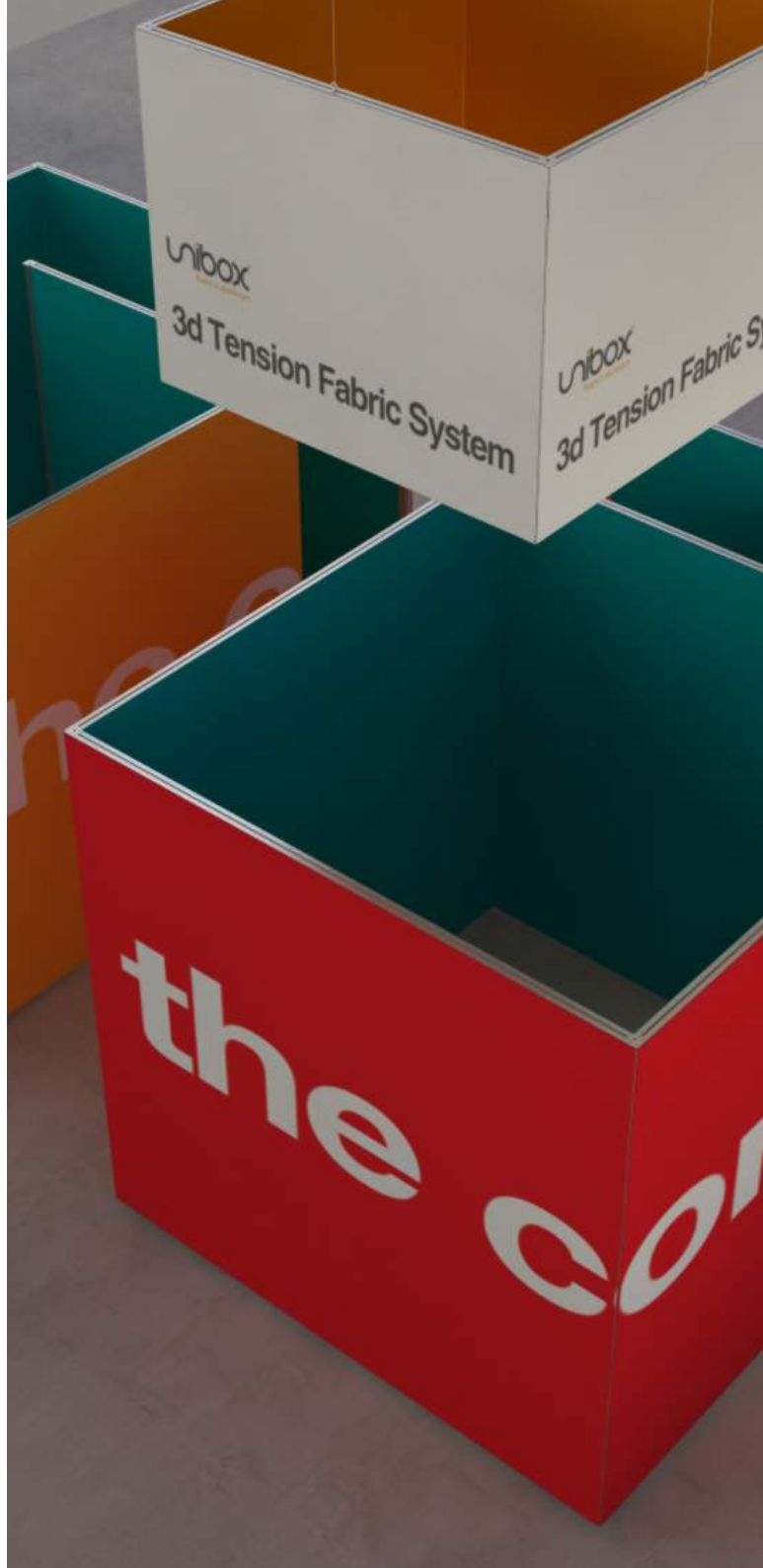
### Support beam

For added stability on large frames.

## UA4696

### Support beam

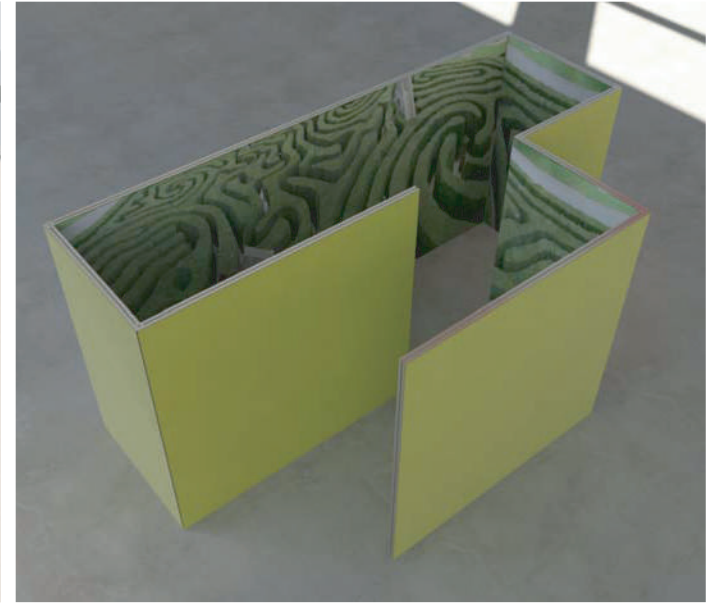
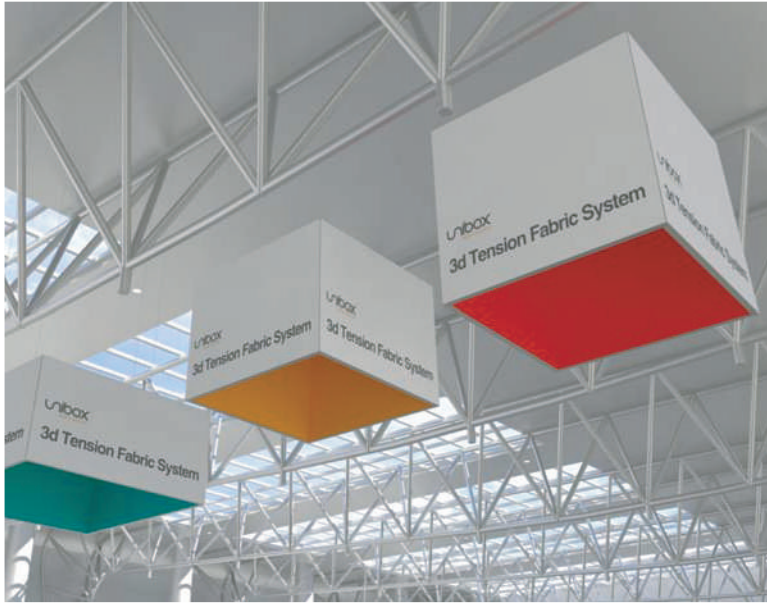
For added stability on large frames.



## 3D Tension Fabric System

A seamless graphic display system.

Display System for exhibitions, events, retail and conference environments



## 3D Tension Fabric System

Unibox's Tension Fabric System is a market-leading graphic display solution, used throughout the retail, exhibition, motorsport and commercial interior environments.

The system consists of an aluminium profile with an integrated channel, which allows users to insert bespoke graphics with silicone edging that stretches across the surface of the frame.

This system now offers the option of seamlessly wrapping corners, creating room sets, break-out areas, suspended cubes and a wide variety of other display solutions.





# How it works

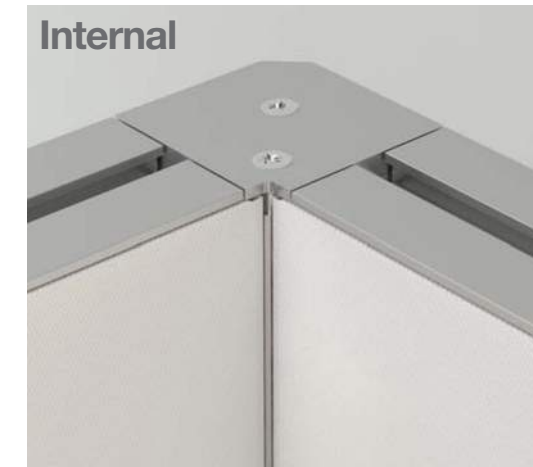
Internal & external seamless graphics

3D TFS

## 3D Tension Fabric System

3D TFS specifically offers two channels for the insertion of fabric graphics with a silicon strip sewn onto the edge. This silicone strip fits precisely into the profile channel, gripping the fabric and stretching it across the display surface, leaving no creases.

The same process applies for adding graphics in the internal channel, giving you or your client a complete graphic suitable for many locations.



Modular

# Accessories

The little extras, but with big impact

3D TFS can be combined with a range of useful accessories.

**01**

Poseur table kit with 10mm thick acrylic circular top.

**02**

Acrylic literature holders available with left, right and centre brackets.

**03**

Steel literature holders available with left, right and centre brackets.

**04**

240V 150W swan neck lighting for illuminating graphics.

**05**

12V GU 5.3 LED swan neck spot light.

**06**

M8 eye bolt assembly, for hanging displays.

**07**

Rectangular foot plate - 445x76mm.

**01**



**02**



**03**



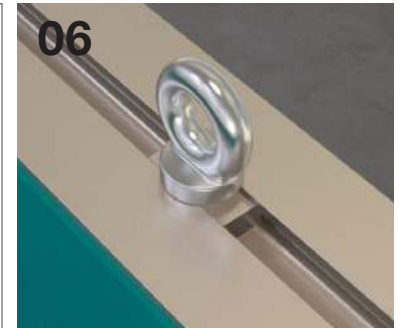
**04**



**05**



**06**



**07**



CALL 205.566.1533

